

# RICHARDSONS TWINSLLOT SHELVING

## Product Information

Colours: W = White, B = Brown, BLA = Black, CH = Chrome, SS = Stainless Steel

### 1. Twin Slot Upright

Size	Colour	Code
170mm	W/B	DU 170
430mm	W/B/BLA/CH	DU 430
710mm	W/B/BLA/CH	DU 710
1000mm	W/B/BLA/CH/SS	DU 1000
1220mm	W/B/BLA/CH	DU 1220
1600mm	W/B/BLA/CH	DU 1600
1980mm	W/B/BLA/CH/SS	DU 1980
2400mm	W/B/BLA/CH	DU 2400

Specification of uprights and brackets shown on page 6. Longitudinal weight load capacity of upright is a maximum of 2900kg.

### 2. Twin Slot Standard Bracket - 50mm at Base

Size	Colour	Load	Code
120mm	W/B/BLA/CH	151kg	DB 120
170mm	W/B/BLA/CH	108kg	DB 170
220mm	W/B/BLA/CH	84kg	DB 220
270mm	W/B/BLA/CH/SS	69kg	DB 270
320mm	W/B/BLA/CH	60kg	DB 320
370mm	W/B/BLA/CH/SS	57kg	DB 370

### 3. Twin Slot Standard Bracket - 75mm at Base

Size	Colour	Load	Code
470mm	W/B/BLA/CH/SS	80kg	DB 470
610mm	W/B/BLA	74kg	DB 610

### 4. Twin Slot Medium Duty Bracket - 75mm at Base

Size	Colour	Code
370mm	W/B	DMDB 370

### 5. Twin Slot Heavy Duty Bracket - 100mm at Base

Size	Colour	Code
370mm	W/B	DHB 370
470mm	W/B	DHB 470
610mm	W/B	DHB 610

### 6. Twin Slot 3 Position Bracket 15° & 25° - 100mm at Base

Size	Colour	Code
260mm	W	3PB260
390mm	W	3PB390

### 7. Twin Slot Slanting Bracket 24° - 50mm at Base

Size	Colour	Code
180mm	W	DSB 180
230mm	W	DSB 230
280mm	W	DSB 280
370mm	W	DSB 370
480mm	W	DSB 480

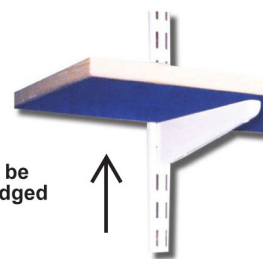
### 8. Twin Slot "Upside Down" Bracket - 50mm at Base (470mm - 75mm at Base).

Size	Colour	Code
120mm	W	UD 120
170mm	W	UD 170
220mm	W	UD 220
270mm	W	UD 270
320mm	W	UD 320
370mm	W	UD 370
470mm	W	UD 470

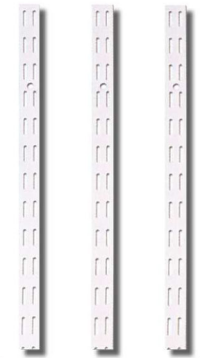
### 9. Insert Shelf Retainer.

Size	Colour	Code
40mm x 17mm	N/A	ISR 10

### 1. Twin Slot Uprights



The Bracket can't be accidentally dislodged from the Upright.



### 2. Twin Slot Standard Bracket



### 3. Twin Slot Standard Bracket (470mm & 610mm)



### 4. Twin Slot Medium Duty Bracket



### 5. Twin Slot Heavy Duty Bracket



### 6. Twin Slot 3 Position Bracket 15° & 25°



### 7. Twin Slot Slanting Bracket 24°



### 8. Twin Slot "Upside Down" Bracket



### 9. Insert Shelf Retainer. (Sold in packs of 10).



TEL: 01642 242228

WEB: [www.richardsonsuk.co.uk](http://www.richardsonsuk.co.uk)

# RICHARDSONS TWINSLLOT SHELVING

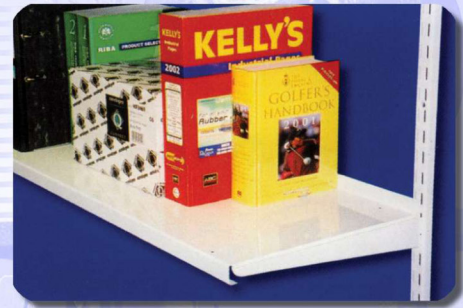


Steel Shelves

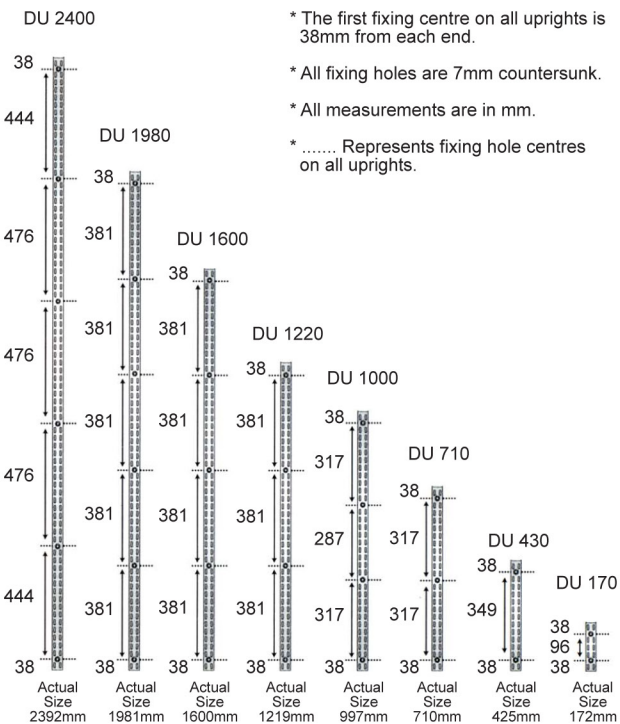
## Product Information

### Steel Shelves

Available in white epoxy finish only and in 500mm and 1000mm lengths by the depth shown below. The shelves simply fit on to all standard brackets - especially useful in areas when damp or laboratory applications are involved as these can be easily wiped clean, and can be easily & quickly adjusted.



### Technical Information: Fixing details for all twin slot uprights



Colours: W = White, SS = Stainless Steel

### Steel Shelves

Size	Colour	Load*	Code
500mm x 170mm	W	50kg	DSS 517
500mm x 220mm	W	50kg	DSS 522
500mm x 270mm	W	50kg	DSS 527
500mm x 320mm	W	50kg	DSS 532
500mm x 370mm	W	50kg	DSS 537
500mm x 470mm	W	50kg	DSS 547
500mm x 610mm	W	50kg	DSS 561
1000mm x 170mm	W	50kg	DSS 1017
1000mm x 220mm	W	50kg	DSS 1022
1000mm x 270mm	W/SS	50kg	DSS 1027
1000mm x 320mm	W	50kg	DSS 1032
1000mm x 370mm	W/SS	50kg	DSS 1037
1000mm x 470mm	W/SS	50kg	DSS 1047
1000mm x 610mm	W	50kg	DSS 1061

### Standard Bracket - actual dimensions

Code	A	B	C	D	E	F
DB 120	12.5	110	18	39	60	32
DB 170	12.5	165	18	39	97	46
DB 220	12.5	215	18	39	131	61
DB 270	12.5	268	18	39	167	76
DB 320	12.5	317	18	39	202	92
DB 370	12.5	366	18	39	227	117
DB 470	12.5	470	18	39	160	298
DB 610	12.5	608	18	39	218	378

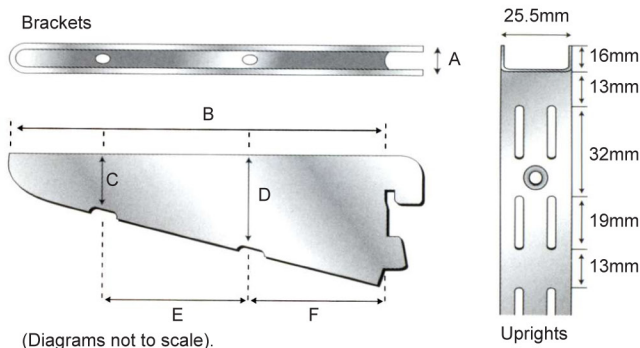
### Medium Duty Bracket - actual dimensions

Code	A	B	C	D	E	F
DMDB 370	13.5	370	18	39	122	234

### Heavy Duty Bracket - actual dimensions

Code	A	B	C	D	E	F
DHB 370	13.5	370	18	39	122	234
DHB 470	13.5	470	18	39	160	298
DHB 610	13.5	608	18	39	218	378

### Technical Information: Bracket and Upright dimensions



\*Uniformly Distributed Weight Load

All measurements in mm

TEL: 01642 242228  
WEB: [www.richardsonsuk.co.uk](http://www.richardsonsuk.co.uk)